

MTC-**A/B series



Threaded-body Cylinder Hydraulic single-acting, spring return Max. operating pressure 350kg/cm² **Mindman**



Description:

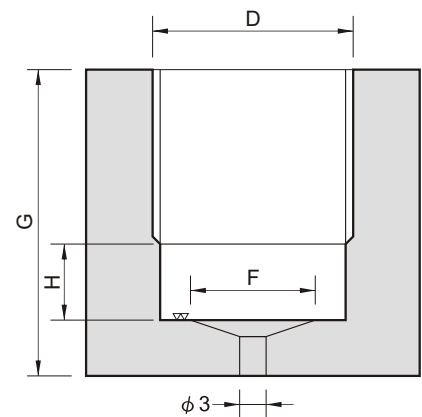
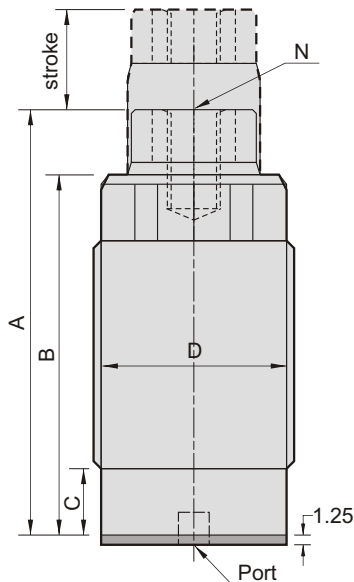
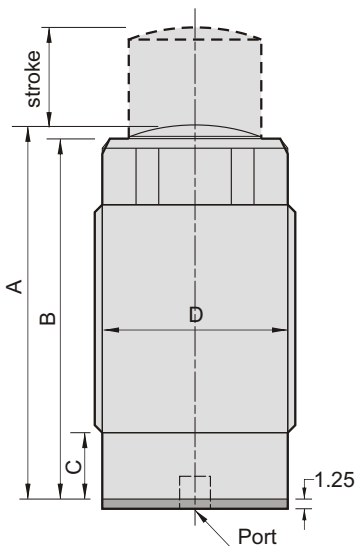
This threaded-body clamping cylinder is applied to a condition of knocking-out, and applies a clamping force on a workpiece within a stroke in order to secure the workpiece. The mounting manner for this threaded-body clamping cylinder is shown as the following drawing illustrating suggested dimensions of devices, and this mounting needs a teflon packing in order to avoid oil leakage.

Type:

MTC. series include knocking-out heads without female thread (A series) and knocking-out heads with female thread (B series).

A series

B series



Mounting diagram

Item	Model	MTC-12A	MTC-16A	MTC-20A	MTC-25A	MTC-12B	MTC-16B	MTC-20B	MTC-25B
Normal operating pressure		20-350 kg/cm ²							
Cylinder operating		Single-acting							
Stroke (mm)		10	12	15	16	10	12	15	16
Piston-φ (mm)		12	16	20	25	12	16	20	25
Theoretical force (200 kg/cm ²)		200 kg	400 kg	620 kg	980 kg	200 kg	400 kg	620 kg	980 kg
A (mm)		38	46.5	56	57	45	52	64.5	67
B (mm)		36	44.5	54	55	36	44.5	54	55
C (mm)		7	8	8	11	7	8	8	11
D (mm)		M22 × 1.5	M26 × 1.5	M30 × 1.5	M38 × 1.5	M22 × 1.5	M26 × 1.5	M30 × 1.5	M38 × 1.5
N (mm)						M6 × 1.0	M6 × 1.0	M8 × 1.25	M8 × 1.25
F (mm)		12	16	20	25	12	16	20	25
G (min) (mm)		16	20	24	28	16	20	24	28
H (max) (mm)		8	9	9	11	8	9	9	11